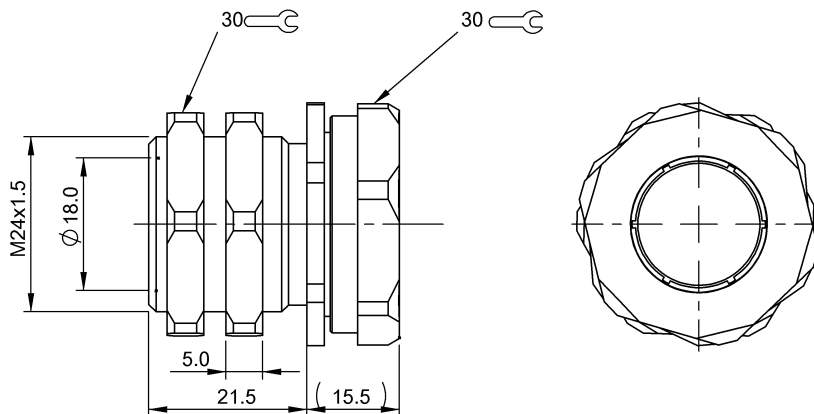


BES 18,0-KH-11S/W BAM00FM



General data

Use	Assembly
Version	Prox fastening

Material

Material	Steel
----------	-------

Surface protection	coated, PTFE
--------------------	--------------

Mechanical data

Dimension	undefined
Tightening torque	25 Nm