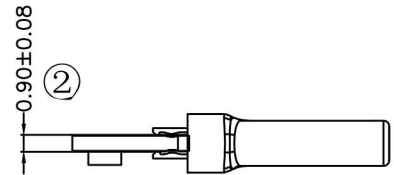
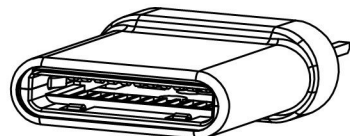
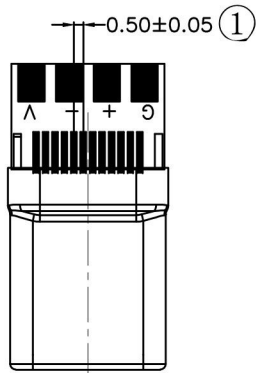
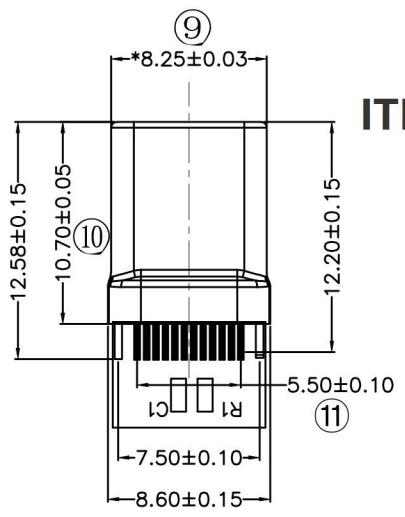
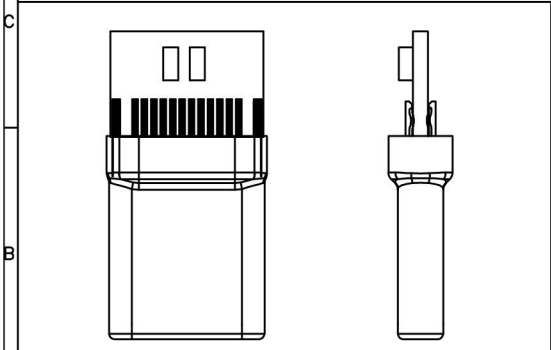
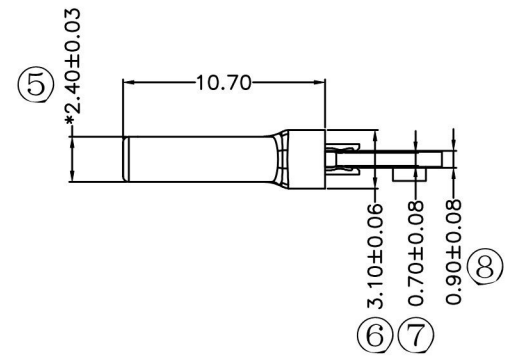
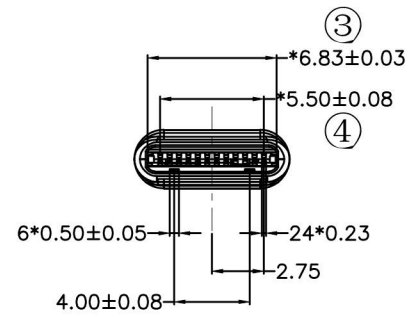


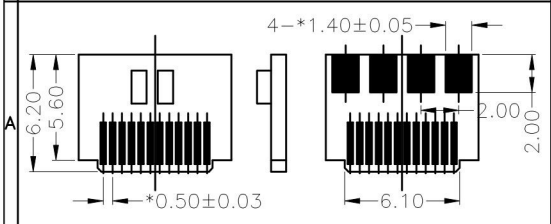
| REV. | ZONE | DESCRIPTION | DESIGN | DATE |
|------|------|-------------|--------|------------|
| A0 | | | | 2017.04.02 |
| | | | | |
| | | | | |



PCB



ITEM:USB3.1 TYPE-C 24PM-024



| | | | | | |
|---|-------|----------------|------------|------|-------------------|
| Unless otherwise specified tolerances are | | RUI CHI | | | |
| X. | ±0.25 | DRAW NO. | 2017040201 | DATE | DRAW NAME: |
| X.X | ±0.15 | | DWN | | |
| X.XX | ±0.10 | CHK | | | USB 3.1 24PIN |
| X.XXX | ±0.05 | APVD | | | P/N : 1100-124006 |
| X° | ±2.0° | | | | |
| X.X° | ±1.0° | | | | |

| | | | | | | | |
|-------------------------|----------|--|------|-------|--------|-----|--------|
| Third Angle Project | FINISH | | UNIT | SCALE | WEIGHT | REV | SHEET |
| | MATERIAL | | mm | 1:1 | | A | 1 OF 1 |