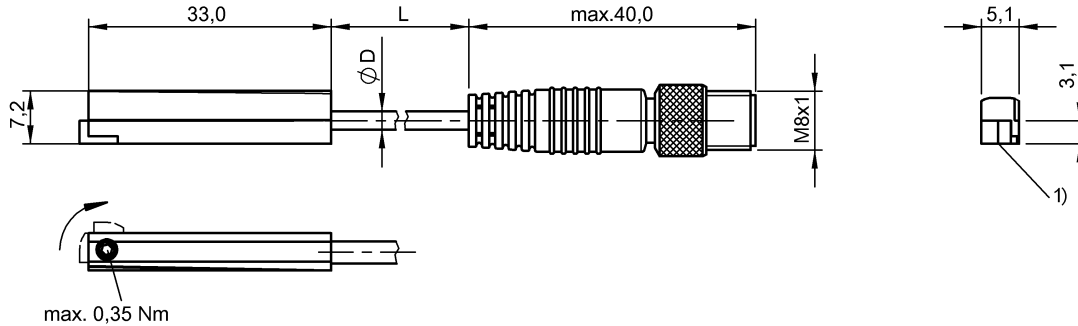


BMF 315M-PS-W-2-S49-00,3 BMF0082



1) Sensing surface



Display/Operation

Function indicator	no
Power indicator	no

Electrical connection

Cable diameter D	2.50 mm
Cable length	0.3 m
Connection	M8x1-Connector, 3-pole
Connection type	Cable with connector, 0.30 m, PUR
Polarity reversal protected	yes
Short-circuit protection	yes

Electrical data

Assured switching field strength H_a	2 kA/m
Hysteresis H max. (% of H_n)	45 %
Load capacitance max. at U_e	1 μ F
Magnetic field frequency, interference field	50...60 Hz
Magnetic field strength, interference field	200 kA/m
No-load current I_o max., undamped	20 mA
Operating voltage U_b	10...30 VDC
Output resistance R_a	47.0 kOhm + 2D
Pollution degree	3
Protected against miswiring	yes
Rated insulation voltage U_i	75 V DC
Rated operating current I_e DC	200 mA
Rated operating voltage U_e DC	24 V
Rated short circuit current	100 A
Rated switch field strength H_n	1.2 kA/m
Residual current I_r max.	80 μ A
Switching frequency	10 Hz

Turn-off delay t_{off} max.	50 ms
Turn-on delay t_{on} max.	50 ms
Utilization category	DC -13
Voltage drop static max.	4 V

Environmental conditions

Ambient temperature	-25...70 °C
Magnetic field immune	Weld-immune (AC)
Protection type IEC 60529	IP67

General data

Application	Pneumatic cylinder with T-slot. For dimensions, see sketch in product view.
Approval/Conformity	cULus CE
Basic standard	IEC 60947-5-2
Scope of delivery	Offset screwdriver DIN 911 size 1.3

Material

Housing material	Aluminum
Material jacket	PUR
Material sensing surface	PU

Mechanical data

Dimension	33 x 5.1 x 7.2 mm
Tightening torque	0.35 Nm

BMF 315M-PS-W-2-S49-00,3 BMF0082

Temp. drift max. (% of Hn) 0.3 %

Output/Interface

Switching output PNP Normally open (NO)

Remarks

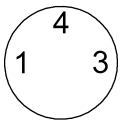
EMC: Surge resistance
External protection circuit is required. Document 825345, Section 2.
The sensor is functional again after the overload has been eliminated.

Range/Distance

Ripple max. (% of Ue) 15 %

Installation instructions 841205

Connector view



Wiring Diagram

